

# Series IN58S

## Incremental Rotary Encoders

### Specifications

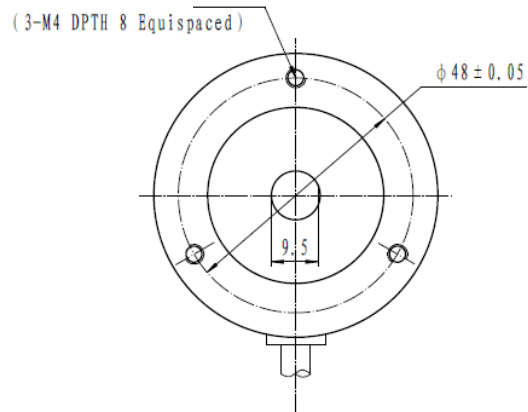
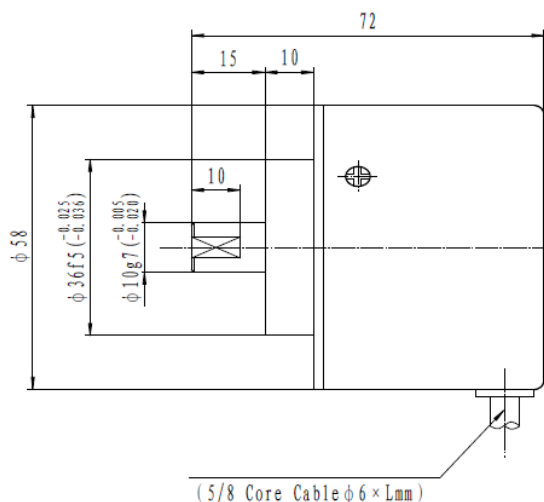
Resolution	: 100 ... 6,000 ppr
External Diameter	: 58 mm
Shaft Diameter	: 6 / 8 / 10 mm
Shaft Length	: 15 mm
Shaft Load	: Radial ≤30N, Axial ≤20N
Supply Voltage	: DC 5V   8V ... 26V   10V ... 30V   12V
Output Model	: Voltage   Push-pull   Open collector   Line driver
Output Phase	: A, B, Z   A, <u>A</u> , B, <u>B</u> , Z, <u>Z</u>
Current	: 60 ... 120 mA
Slew Speed	: 6000 rpm
Frequency Response	: 0-300 kHz
Termination	: Side Entry Cable   Rear Entry Cable
Operating Temperature	: -20 ... +85°C
Protection Class	: IP54



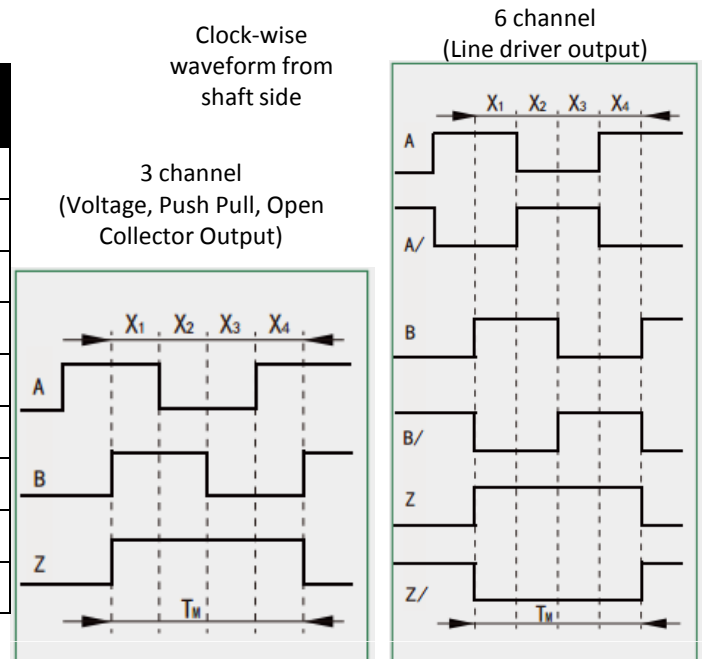
### Electrical Connection

Cable Color	E (Voltage)	F (Push Pull)	C (Open Coll)	L, A (Line Driver)
Red	Vcc	Vcc	Vcc	Vcc
Black	0 V	0 V	0 V	0 V
Green	A	A	A	A
Brown				<u>A</u>
White	B	B	B	B
Grey				<u>B</u>
Yellow	Z	Z	Z	Z
Orange				<u>Z</u>
Shield	G	G	G	G

### Dimensions



### Output Waveform



## Incremental Rotary Encoders

### Ordering Code

1	2	3	4		5	6	7	8		9	10	11	
IN	58	S	10	-	G	1M	3	F	-	100	B	M	

