

Series INVC37

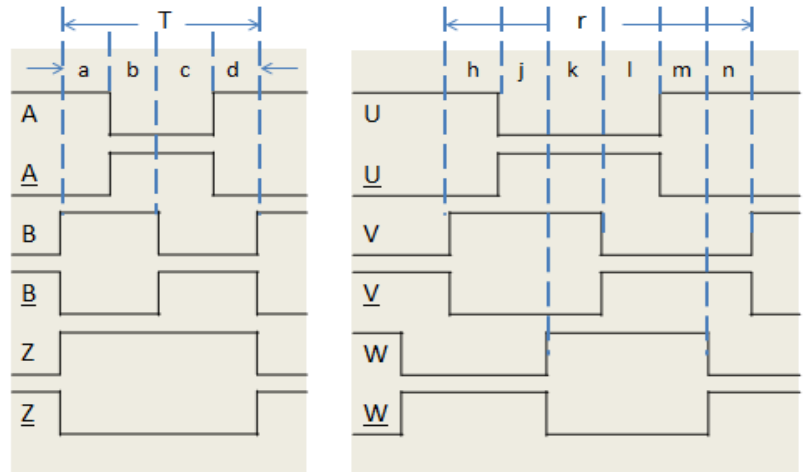
Servo Motor Incremental Rotary Encoders

Specifications

Resolution	: 2500 ppr
External Diameter	: 37 mm
Hollow Shaft Diameter	: 8 / 9 mm
Breaking Load of Shaft	: $\geq 650N$
Supply Voltage	: DC 5V
Output Model	: Line driver
Output Phase	: A, <u>A</u> , B, <u>B</u> , Z, <u>Z</u> , U, <u>U</u> , V, <u>V</u> , W, <u>W</u>
Current	: 60 ... 80 mA
Max. Rotating Speed	: 15,000 rpm
Frequency Response	: 0-300 kHz
Termination	: Side Entry Cable
Operating Temperature	: -20 ... +85°C
Protection Class	: IP50



Output Waveform



$$a, b, c, d = \frac{T}{4} \pm \frac{T}{8}$$

$$e = T, \frac{T}{2}, \frac{T}{4}$$

Clock-wise waveform viewed from mounting side

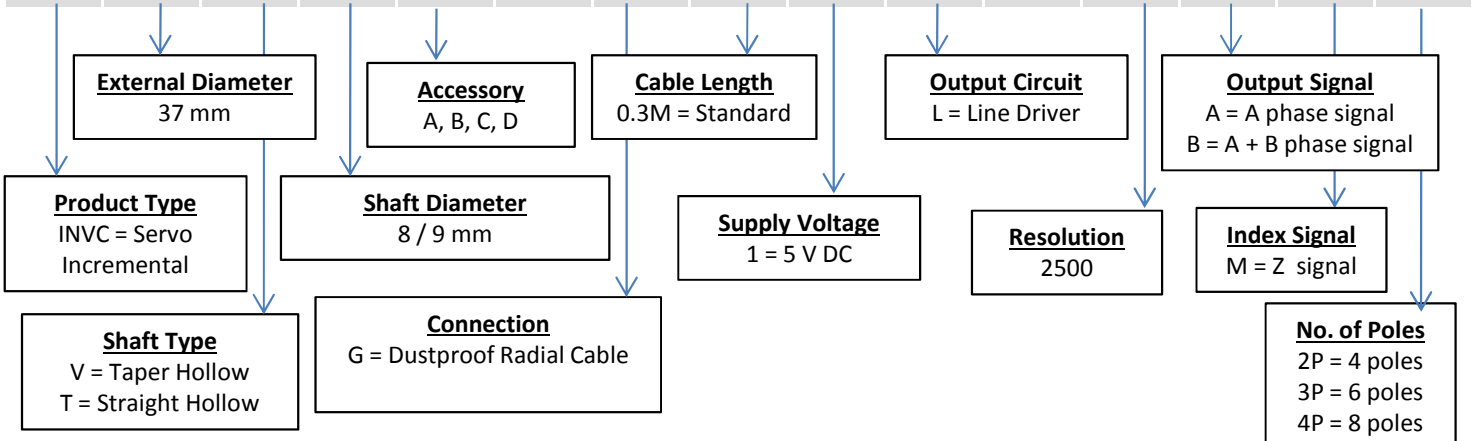
Pole	h, j, k, l, m, n	r
4	30 ± 1.5 deg	180 deg
6	20 ± 1.5 deg	120 deg
8	15 ± 1.5 deg	90 deg

Electrical Connection

Cable Color	Line Driver	Cable Color	Line Driver
Red	Vcc	Black	0 V
Gray	A	Brown	U
White / Gray	<u>A</u>	White / Brown	<u>U</u>
Green	B	Green	V
White / Green	<u>B</u>	White / Green	<u>V</u>
Yellow	Z	Orange	W
White / Yellow	<u>Z</u>	White / Orange	<u>W</u>
Shield	G		

Ordering Code

1	2	3	4	5	6	7	8	9	10	11	12	13		
INVC	37	T	8	A	-	G	1M	1	L	-	1024	B	M	4P



AQUARIUS AUTOMATION PVT. LTD.

Telephone : +91-77382-14410
+91-99307-75181

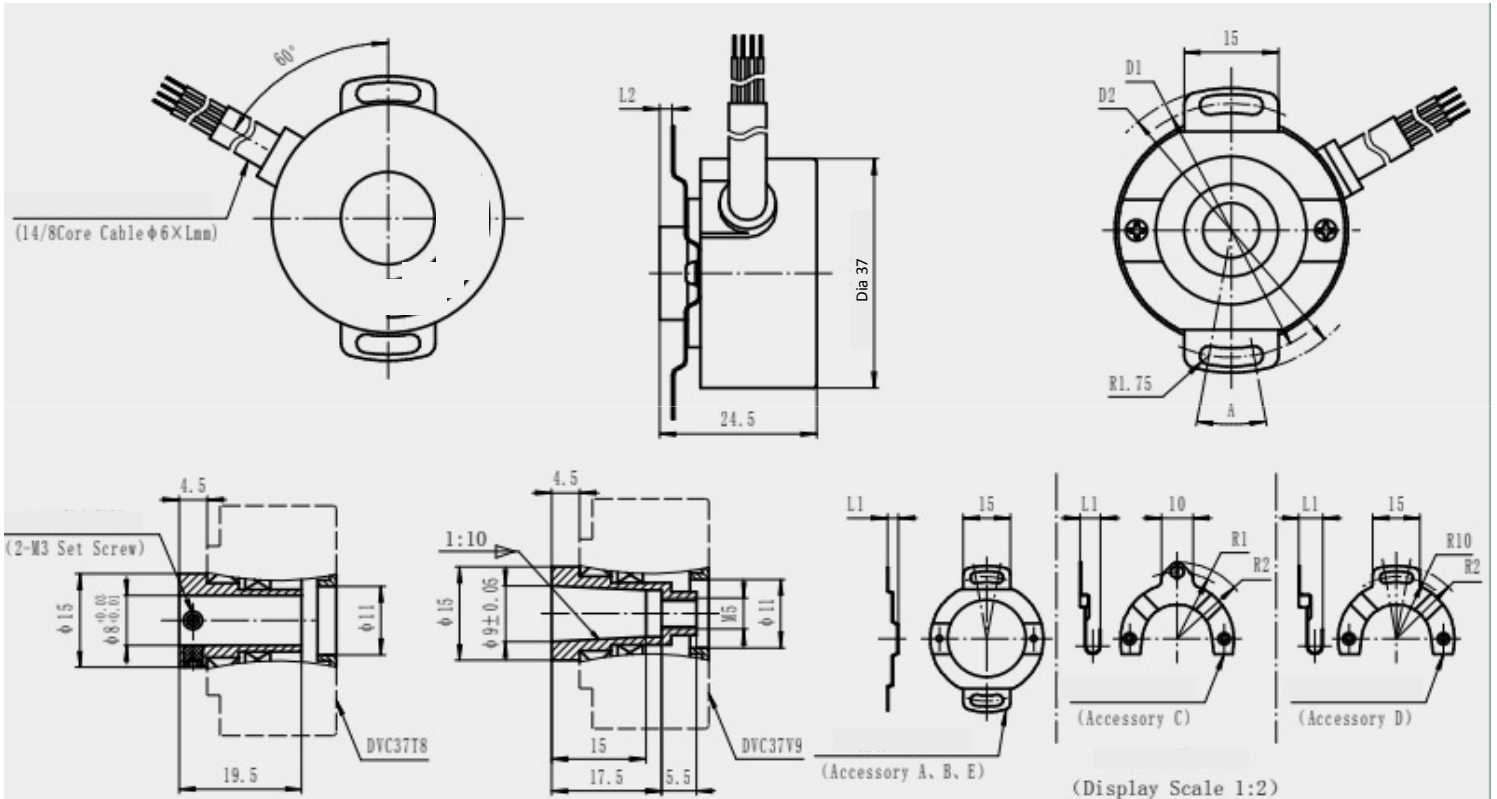
Email : mktg@aquarius-automation.co.in
Web : www.aquarius-automation.co.in

Series INVC37

Servo Motor Incremental Rotary Encoders



Dimensions



- Accessory A : D1 = 40, D2 = 48, A = 20 deg
- Accessory B : D1 = 55, D2 = 63, A = 15 deg
- Accessory A : D1 = 40, D2 = 46, A = 15 deg
- Accessory A : D1 = 55, D2 = 61, A = 15 deg