

**Absolute - Hollow Shaft - Single Turn**

**Specifications**

Resolution	: 10 ... 16 bit
External Diameter	: 58 mm
Hollow Diameter	: 14 mm   20 mm
Shaft Load	: Radial ≤20N, Axial ≤10N
Supply Voltage	: DC 5V   10 ... 30V
Interface -	: Synchronous Serial – SSI
	: Asynchronous – RS485   RS422   RS232
Baud Rate bps	: 115200   57600   38400   19200   9600   4800   2400
Refresh Rate Hz	: 2000   1000   500   400   200   100   50   20
Output Code	: Binary Code   Gray Code
Slew Speed	: 300 rpm
Termination	: Side Entry Cable   Rear Entry Cable
Operating Temperature	: -40 ... +65°C
Protection Class	: IP64



**Electrical Notes**

When operating voltage is DC5V ± 5%

- a) Cable length should not exceed 2 meters
- b) The current of the power supply should not be less than 0.5A.
- c) The interference signal of the power supply should be within ± 50mV.

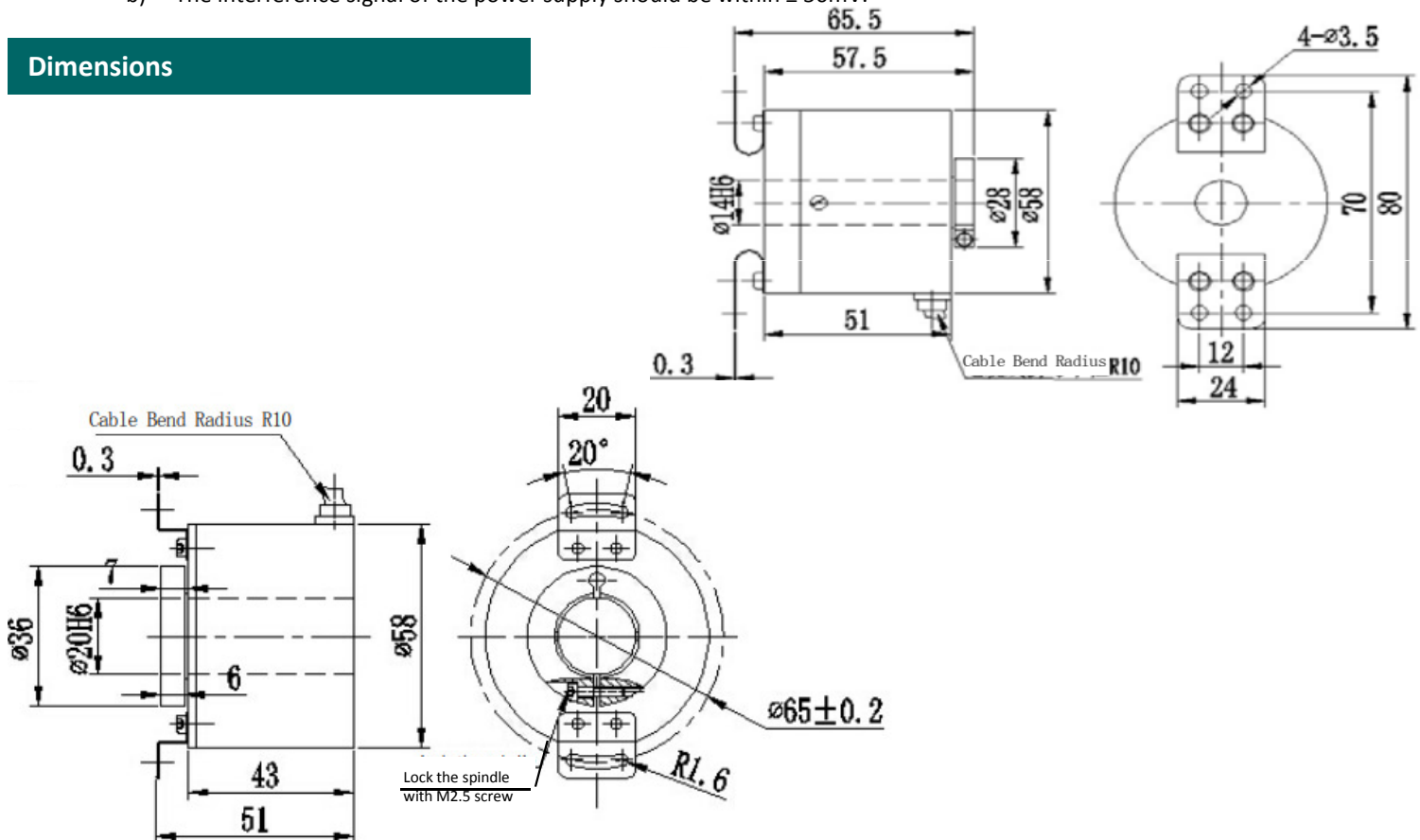
When operating voltage is 10-30V:

- a) The current of the power supply should not be less than 0.3A.
- b) The interference signal of the power supply should be within ± 50mV.

**Asynchronous : Comm. Protocol**

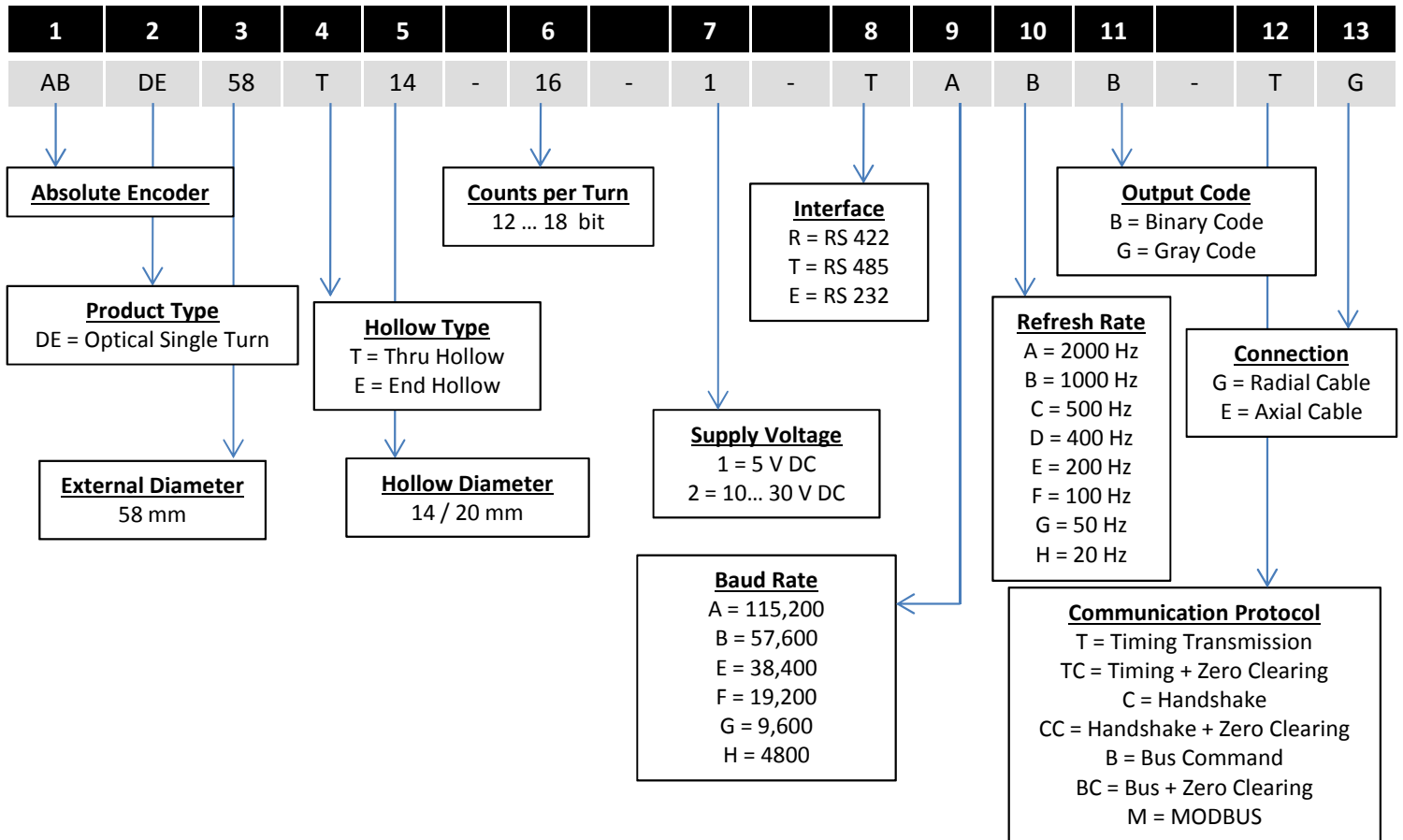
T	Timing Transmission
TC	Timing + Zero Clearing
C	Handshake
CC	Handshake + Zero Clearing
B	Bus Command
B	Bus + Zero Clearing
M	MODBUS

**Dimensions**



**Absolute - Hollow Shaft - Single Turn**

**Ordering Code : Asynchronous Serial**



**Ordering Code : Parallel, Synchronous Serial**

